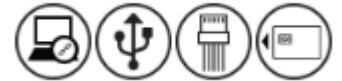


The Evaluation Kit SCReader CT1 OEM is a Smart Card reader module compliant with ISO7816 and EMV Level 1. Easy to use and can be integrated everywhere like vending machines, kiosks, voting machines, ID verification and more... This Eval Kit is composed by the chip AT90SCR of WISEKEY and by the firmware of ABC SMARTCARD EMV Level 1.



## • TYPICAL APPLICATIONS :

Kiosks / Vending Machines



Access control /  
Logical access



P.O.S / Payment Terminal



Healthcare



ATM



Network Security / Secure Log On



Voting Machines



## • OPTIONS ON DEMAND :

**Graphic display LCD** monochrome 128x64 / **Keyboard 18 key**, output IO, LED, Buzzer / PID, VID and string descriptor parameter / **Secure module and SAM** option



**ABC CORE CT1 is also available in chipset version, 2 packaging:**

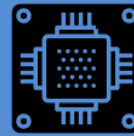
- QFN32
- QFN64

**To get more information, contact us !**

## TECHNICAL SPECIFICATIONS

- **Contact Smartcard reader interface :**

ISO7816 and EMVco Level 1  
 Support asynchronous card ISO7816-1,2,3,4 protocol T=0, T=1  
 High-performance (up to 600Kbps depending on the card TA1=97)  
 Support 5V, 3V, 1,8V Smart cards ISO7816 Type A,B and C  
 Card Size : ID-1 (fullsize), ID-2 SIM size and external connector 8 pins  
 Smartcard movement detection with auto power-off



- **Support Synchronous card :**

I2C, 2-wire: SLE 4432/42 (S=10), 3-wire SLE4418/28 (S=9), SLE5528, SLE4428, SLE5518, SLE5532/42, SLE4404/06, SLE4436, SLE5536, SLE6636, AT88SC101/102, AT88SC1003, AT88SC153, AT88SC1608, ST14C01/02/04/08/16/32/64/128/256/512/1024, ST14C02C/04C, GFM1K/2K/4K/8K

- **HOST Interface**

USB full speed PC/SC CCID  
 5 V DC, 60mA (by USB or external power supply)  
 Other interfaces available : RS232, 232 TTL, I2C, SPI  
 GPIO input / Output  
 Temperature operating 0°C / +55°C



### CERTIFICATIONS

Microsoft WHQL  
 EMV Level 1 v4.3 certified  
 ISO 7816  
 CCID v1.1  
 PC/SC Workgroup



### OTHER FEATURES

- **Operating system**

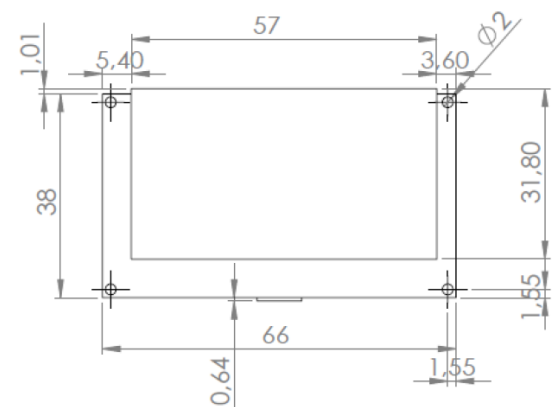
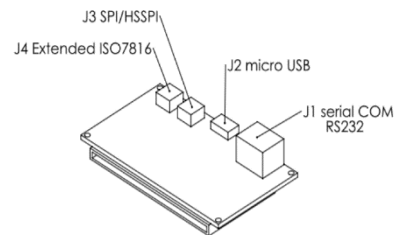
Windows 98, XP, 2000, Server 2003, x64, Vista, Seven, Windows 8, Linux Kernel 2.6, Android, Mac OS 10.3, G3, G4, G5, and more...

- **Safety and Environmental Standarts**

CE, VCC, FIPS, UL, ROHS Compliant

- **Firmware Upgradable**

- **Dimensions : 66 mm (l) x 38 mm (L) x 9 mm (H)**



ABC SMARTCARD develops firmware for contactless AND contactless smart card readers, as well as connected mobile objects designed to be industrialized and marketed by our customers in several fields of application: POS and payment terminals, access control, health, and many others ...

Our core business is our expertise about security of products / services we develop for you, so you can acquire all the national and / or international certifications required for your projects.