



# MPOS Development Kit For Retail Banks, Payment App. Suppliers

## ABOUT ABC SMARTCARD

**ABC SmartCard** is a private limited company registered in France. Products are designed, manufactured and distributed worldwide.

ABC SmartCard develops its own OS Payment, **ABC Core**, which offers the simplest means of integrating EMV specifications.

With over 15 years experience in smartcards, contact & contactless, RFID and NFC, **ABC SmartCard** is the ideal hardware manufacturer to make your project a success, bring differentiation and recognition through innovative core modules. Increase your competitiveness in a changing market through a suite of differentiated services.

## MOBILE POINT OF SALE DEVELOPMENT KIT

**ABC SmartCard** provides a complete development toolkit for creating mobile point of sales solutions, to meet the needs of any company, to get paid anywhere.

mPOS system is the most convenient way for merchants to accept credit or debit card payments. It could be an alternative or complementary to POS solutions

This solution is dedicated to **retail banks and to any payment application suppliers.**

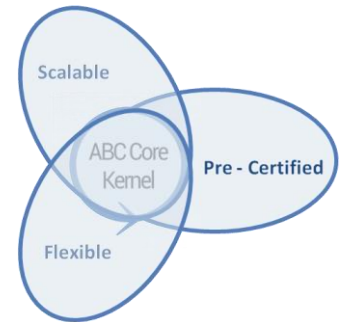
In order to ensure their proposition remaining attractive, payment application suppliers need to address multiple challenges by bringing an enhanced and value proposition to the market.

These challenges include the decreasing revenue due to regulatory pressures and processing cost cutting.

Addressing customers expectations in competitive market, bringing value to retailers and being innovative in a competitive market are the three drivers for **ABC SmartCard.**

## TYPICAL APPLICATIONS

The **MPOS Payment System Development Kit** is an advanced solution to integrate secure payment acceptance.



Card Reader  
+ Application

## MPOS KEY FEATURES

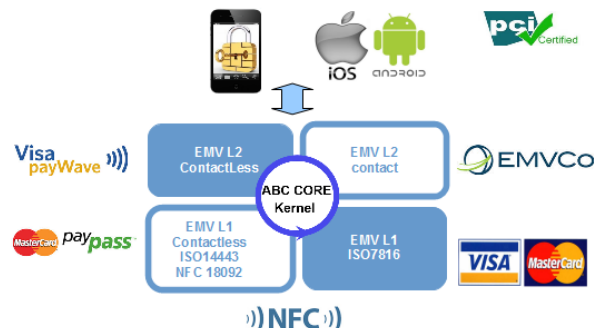
Our developer-friendly SDK includes all of the hardware, APIs and resources you need to start building mobile solution :

- Platform hardware
- Contact Reader Reference Design,
- PCI PTS 4.1 ready,
- Hardware customisation.

Take contact with us to view sample code, detailed documentation and applications examples.

## EMV CERTIFICATION

**ABC Core** is EMV Level1 and Level2 certified



**ABC Core** is the ultimate cost effective hardware and firmware solution to build your universal smart card reader.

Information in this document is subject to change without notice.  
Copyright © ABC SmartCard 2015, all rights reserved.  
Reproduction without written permission of ABC SmartCard is forbidden.

ABC Smartcard company with a capital of 8 000 €  
R.C.S. MARSEILLE B 481 444 560  
N.A.F. 6311 Z  
VAT # : FR 06 481 444 560

[www.abc-smartcard.com](http://www.abc-smartcard.com)



## ABOUT ABC CORE PAYMENT SDK

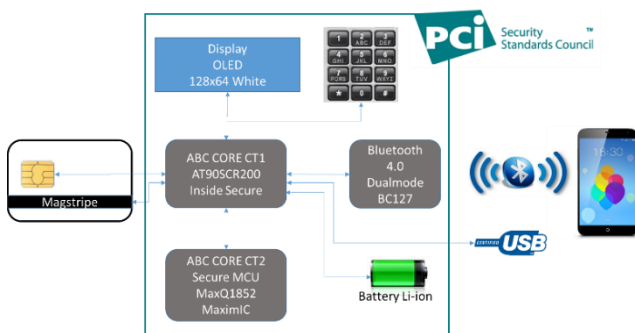
**ABC SmartCard** provides a reference design of Smart Card Payment Reader enabling customers to obtain secure and high-performance mobile Point Of Sale (answering international requirements).

**ABC SmartCard** is the only one to offer standalone hardware platform and integration with third-party application. This allows customers to quickly build smart card readers without custom development.

Based on different secure chips, the device is compliant with payment application PCI-PTS 4.1 . Processors are provided by Inside Secure, Maxim Integrated, Freescale or Atmel.

**ABC Core Payment** is the mobile secure solution to reduce the go to market.

## HARDWARE ARCHITECTURE SDK PAYMENT



## MATERIAL

Resources you need to get mobile solution are :

- ABC Core-PAYMENT CT evaluation device,
- Reference manual/user guide,
- Technical training & optional certification support,
- ISO8583 API compliant,
- Host sample code iPhone, Android, Windows,
- PCI PTS requirement,
- Maintenance & support agreement.

**ABC Core** is the ultimate cost effective hardware and firmware solution to build your universal smart card reader.

## ABC CORE PAYMENT IP INTEGRATES ALL CHIPSET MANUFACTURER POSSIBILITIES



ABC IP	Inside	AMS	Nxp	Freescale	Maxim	Atmel
ISO7816	✓	✗		o✓**	o✓**	o✓**
EMVCo CT1	✓	✗	✓**	o✓**	o✓**	o✓**
EMVCo CT2	✗	✗	✗	✓**	✓**	✓**
EMVCo CL1	✗	✓	✓**	✓**	o✓**	o
EMVCo CL2	✗	✗	✗	✓**	✓**	✓**
NFC	✗	✓	✓**	o✓**	o✓**	o
Magstripe	✓	✗	✗	✓**	✓**	✓
PinPad	✓	✗	✗	✓**	✓**	✓
LCD	✓	✗	✗	✓**	✓**	✓
Graphics TFT	✗	✗	✗	✓**	✓**	✓
USB	✓	✗	✓	✓**	✓**	✓
OS *	✗	✗	F*	FLA✓**	FL✓**	FLA✓**
PCI PTS	✗	✗	✗	✓**	✓**	✓**
BLE	o	✗	o	o	o	o

\* Operating system: **Freertos, Linus, Android**

✓\*\* Multi reference chip available in manufacturer compounds

o Option available with other external chip

## LICENSE

Our experience in integration and testing enables our customers to get, in a very short time, proof of concepts and demonstrations. Interfaces are available on the board, but could be customized based on your requirements.

### Compulsory Licence

- mPOS reader IP + know-how transfer,
- Chipset: ABC Core-C µController.

### Extended Licence

- Intelligent Readers (business specific interfaces)
- Evolving Reader Environment